

# DHI-HY-2301-RE

## Addressable Smoke Detector



- 4W-B Smoke Detector features a relay output.
- The backlight compensation intelligent algorithm allows the smoke detector to automatically adjust the alarm threshold based on maze contamination levels, extending cleaning cycles and simplifying maintenance
- Non-loosening screws on base terminal for easy installation
- Contacts material is highly acid-resistant and rust-resistant

### System Overview

DHI-HY-2301-RE 4-Wire Addressable Smoke Detector is a component of the fire automatic alarm system. The detector has a built-in high-performance smoke sensor. It utilizes the principle of blue light and infrared light scattering to analyze the real-time data transmitted by the sensor through intelligent algorithms and determine whether to issue a fire alarm signal. The background light compensation intelligent algorithm automatically adjusts the alarm threshold based on the level of contamination in the maze, thus extending the life cycle of the maze.

### Functions

#### Compensation Mechanism for Maze Contamination

By using a maze contamination compensation algorithm, the system intelligently adjusts the alarm threshold, effectively extending the cleaning cycle.

#### Addressability

After a fire alarm is triggered, the exact location of the alarm can be accurately identified.

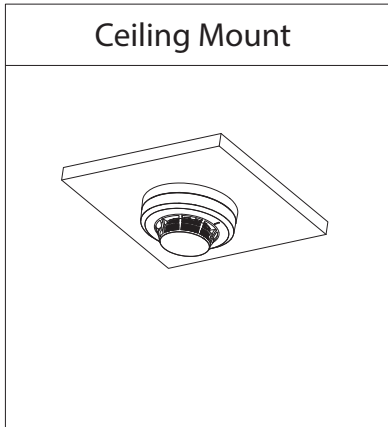
### Scene

It is designed to be used with addressable fire alarm control panels and is suitable for a variety of residential and industrial buildings, including homes, hotels, office buildings, educational institutions, banks, libraries, warehouses, computer rooms, communication rooms, and archives.

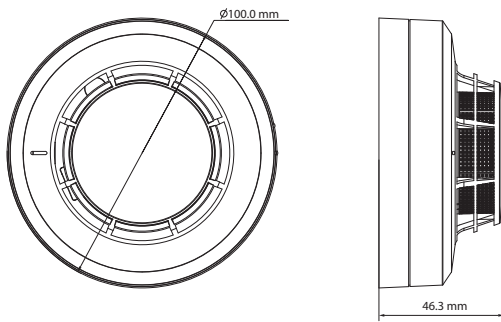
### Technical Specification

Surveillance Area	For installation heights below 4 m, the coverage area is 150 m <sup>2</sup> For installation heights between 4 m and 12 m, the coverage area is 80 m <sup>2</sup>
Working Principle	Smoke detection
Alarm mode	Indicator light alarm
Operating Voltage	DC 24V
Operating Current	Static current: ≤ 300μA Alarm current: ≤ 6.5mA
Operating Temperature	-10°C to +50°C (14°F to 122°F)
Operating Humidity	≤ 95% RH (no condensation)
Dimensions (with base)	Φ100 mm × 46.3 mm (Φ 3.94" × 1.82")
Weight (with base)	96 g (0.21 lb)
Installation	Ceiling Mount

Installation



Dimensions (mm/inch)



Ordering Information

Type	Model	Description
Addressable Smoke Detector	DHI-HY-2301-RE	Addressable Smoke Detector