

# DHI-HY-BD1

## Beam Detector



- Auto-alignment and manual alignment supported
- Compatible with Dahua's addressable system protocol
- Direct integration with third-party detection systems
- Ultra low monitoring and alarm current
- Adjustable 3-level sensitivity
- Multi-state dual-color indicator
- CE Certified

### System Overview

Beam Detector is a reflective linear infrared smoke detector. The detector output an alarm signal if the amount of smoke on the optical path declines. It must be used in conjunction with the encoder.

### Functions

#### Convenient wiring

Two-wire, polarity-free

#### Strong anti-interference

Neural networks smoke recognition algorithm, immune to sunlight and other natural light interference

#### Ultra-low power consumption

Ultra-low monitoring current and operating current

#### Easy maintenance

A multi-stage drift compensation algorithm is used for dust accumulation

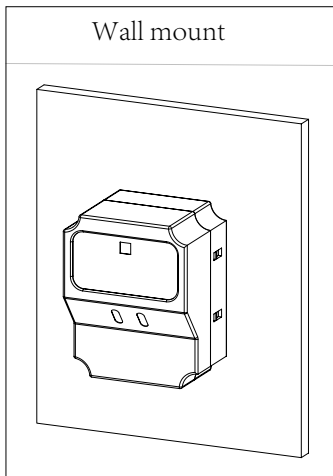
### Scene

It is suitable for factories, warehouses, airports, stations, and other unobstructed large spaces.

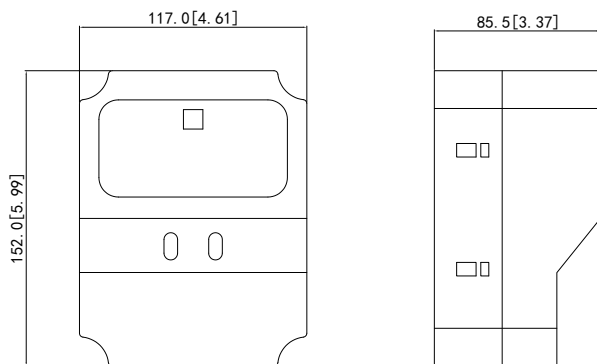
### Technical Specification

Working Voltage	24V DC
Current	Monitoring current: $\leq 0.5\text{mA}$ Operating current: $\leq 0.9\text{mA}$
Max. Optical Path Direction Deviation	$\pm 0.5^\circ$
Optical Path Length	10 m-100 m
Storage Temperature	$-10^\circ\text{C}$ to $+55^\circ\text{C}$ ( $+14^\circ\text{F}$ to $+131^\circ\text{F}$ )
Operating Humidity	$\leq 95\%$ RH (no condensation)
Color	White
Dimensions	117 mm $\times$ 152 mm $\times$ 85.5 mm (4.61" $\times$ 5.98" $\times$ 3.37")
Protection	IP65
Certification	CE
Compliance Standard	EN IEC 62368-1:2020+A1

## Installation



## Dimensions (mm/inch)



## Ordering Information

Type	Model	Description
Detector	DHI-HY-BD1	Beam Detector